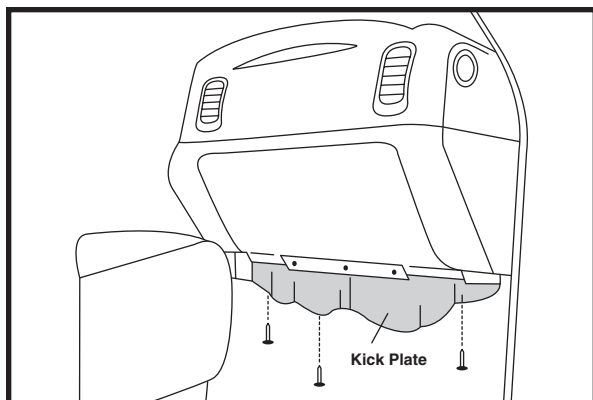


CABIN AIR FILTER

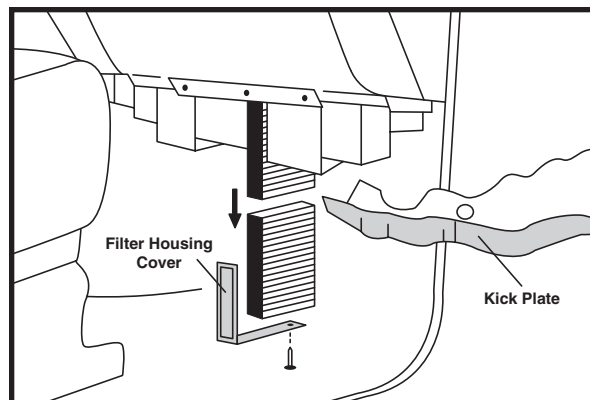
IDENTIFICATION / INSTALLATION

GM

PA4149 KIT



1. Open passenger side door.
2. Remove screws on kick plate located under glove compartment.



3. Remove kick plate.
4. Remove screw on filter housing cover.
5. Remove filter housing cover.
6. Remove first filter by pulling straight down.
7. Slide second filter forward and then pull down.
8. Replace filters in reverse order and reassemble.

Notice: The information provided is based on the latest authoritative information available at press time. However, due to manufacturers' changes, and year and model variations, Baldwin Filters cannot be responsible for misapplications and instruction errors.

BALDWIN FILTERS® **BALDWIN**
a CLARCOR company

4400 East Highway 30 • P.O. Box 6010
Kearney, Nebraska 68848-6010
Phone: (308) 234-1951 • Toll Free: (800) 822-5394
Fax: (800) 828-4453 • Int'l Fax: (308) 237-9769
Internet: www.baldwinfilter.com